

Silen Space 1.5

Private orbit with room to spare

Even team players need time and space to dive deep on their own. That's when insights and discoveries happen. This spacious privacy pod reduces the world to a whisper, so your mind can focus for hours on end.



Ultimate two-way privacy
Market-leading in performance. Blocks 40 dB outside noise, 31 dB (Class A) inside speech. Office-tested, ISO-approved in the laboratory.

Comfortable
Ergonomic, quiet, echo-free, and speech-optimized. Automated LEDs and ventilation. Over twice the standard airflow rate.

Movable
Hidden wheels allow effortless relocation in the office. Prefabricated design offers easy disassembly and reassembly when moving.

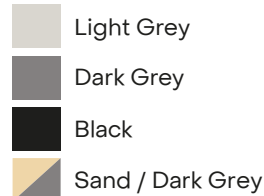
Spacious
Ample space to sit, stretch, stand, and move around. Available with furniture of your choice.

Endless customization
Swap side skins and cover trims with a snap of a magnet. Choose from a variety of colors, fabrics, and furnishing options.

Sustainable
Renewable materials used with a 20+ year lifespan. Designed sustainably across materials, production, and impact on surrounding environments.

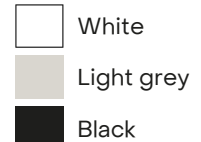
Interior colour

Standard colours



Exterior colour

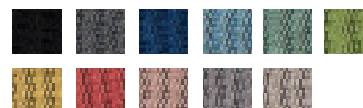
Standard colours*

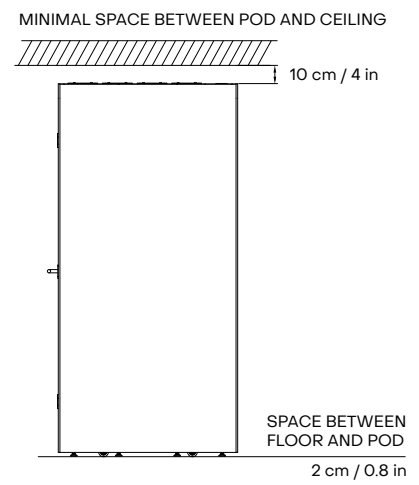
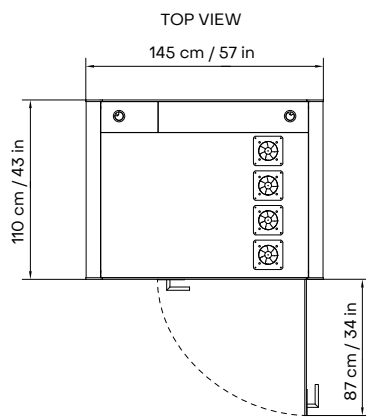
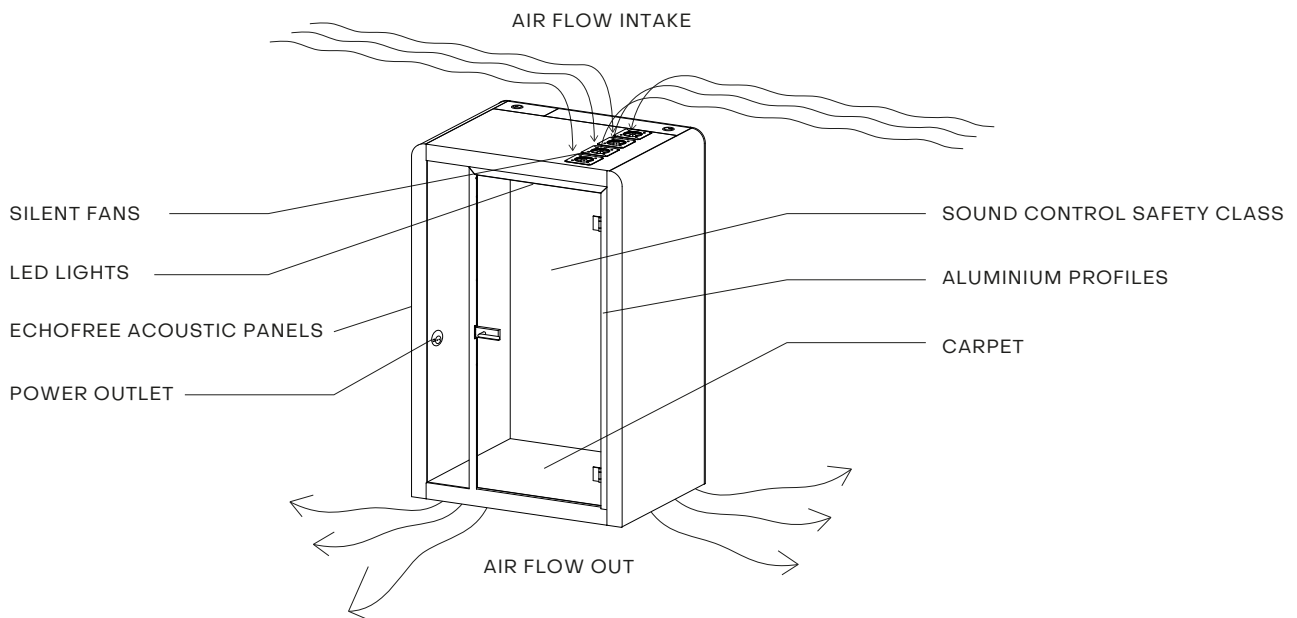
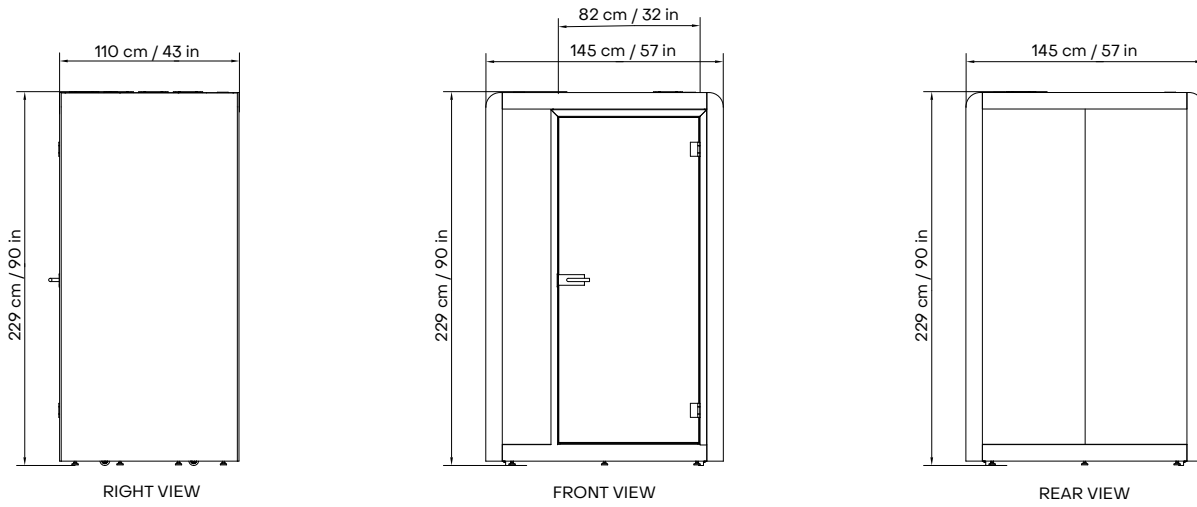


Additional colours for extra fee



Fabric colors (Camira RePlay Zero)





Space 1.5 technical specification

GENERAL PRODUCT INFO

Exterior size (W×D×H)	145 × 110 × 229 cm / 57 × 43 × 90 in
Interior size (W×D×H)	125 × 101 × 205 cm / 49 × 40 × 81 in
Weight (net)	415 kg / 915 lb
Weight with crate	550 kg / 1212.5 lb
Exterior	<p>Side panels: Metal sheet with sand-structured powder coating. Fixed with magnets and easily exchangeable.</p> <p>Front and back trims: Covered with antibacterial laminate. Fixed with magnets and easily exchangeable.</p>
Glass	Sound Control laminated safety glass. Sound insulation STC 40 dB
Walls/structure	EchoFree panel - sandwich element and structure of birch plywood, foam and acoustic felt.
Roof	EchoFree panel - sandwich element of birch plywood and acoustic felt.
Floor	Sandwich element of birch plywood, acoustic wool. Acoustic absorption Class B
Carpet	Antistatic and stain resistant low loop pile carpet for public spaces, EN 1307. Flammability B _{fl} -s1
Door handedness	Right-handed door
Furniture	Optional. Different sets are available
Air ventilation	Low energy-consumption automatic air circulation system (stand by 3.4 W; in operation 6.8 W; Max 7.09 W). Air circulation speed is at least 50 l/s
Electrical connections	Black socket with 110-240 V (10 A) + USB-A+C
Power cord	5m long cord with plug type depending on the region. Connection either from the top or bottom of the pod, can be chosen during installation.
Lighting	2700K – 5000K automatic LED lightning (13,4 W, 1800 lm) with control panel. Low consumption, energy-efficient
Castors	For moving during installation and easy relocation. Hidden. Can be activated any time.
Adjustable legs	For levelling. Levelling from inside the booth

CERTIFICATION

Product safety	GS-mark / UL962 Listed
Electrical safety	CE-mark / UL962 Listed
Fire safety	Class A according to UL 723, ASTM E84, ASTM E162 (walls and ceiling)
Emissions	Indoor Advantage™ Gold certified by SCS Global Services
Speech level reduction	30,6 dB / Class A according to ISO 23351-1, measured in accredited lab



Space 1.5 extra features



Self-closing door hinges



Retractable coat/bag hook



Control panel



Sprinkler prep



Seismic kit



Occupancy light



Face lights



Screen bracket

EXTRA FEATURE

Self-closing door hinges

LAN/RJ45 connections

Control panel

Airflow dimmer, light brightness dimmer, light temperature selection and controls for optional extras (face light, smart glass etc.)

Occupancy light

Face lights

Only for fixed height work table. Two LED light strips in the wall

Screen bracket

Only for fixed height work table. Universal bracket for 24-in screen

Frosted glass

Frosted film between glasses

Height adjustable table (electric)

Table top dimensions: 72 x 50 cm. Height: min 70 cm, max 115 cm

Sofa Vega Work

Dimensions: 90 x 62 cm, height 78 cm. Seat height 49 cm
Sofa fabric colour: Standard colours: Light gray, dark gray, black

Retractable coat/bag hook

Sprinkler prep

Knockout with a tube inside. The ceiling module for housing a sprinkler. Does not include a sprinkler. Sprinkler needs to be installed by a certified company.

Seismic kit

Brackets to mount the floor module to the existing floor with anchor bolts



Options for surfaces

Standard colours



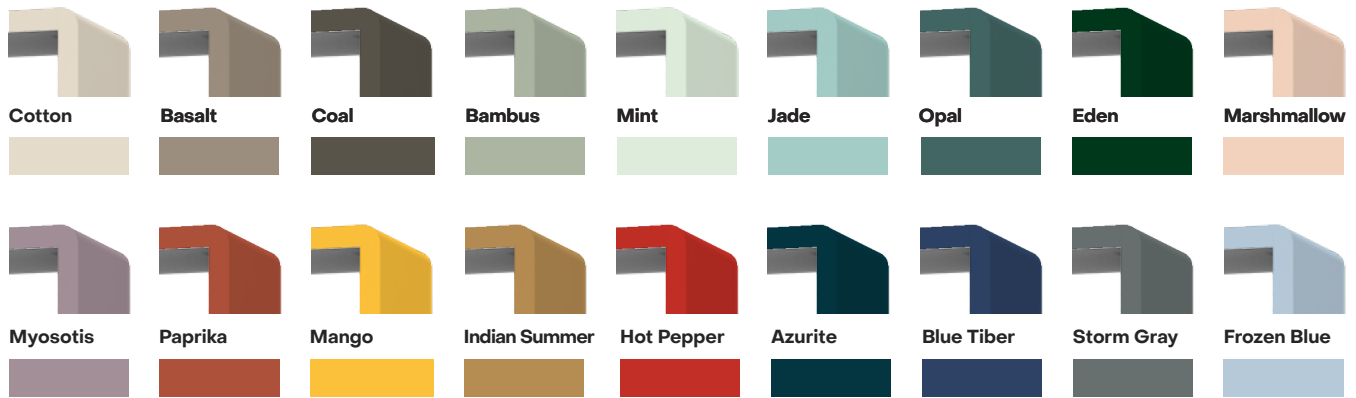
Snow White Black Light Grey

Veneer



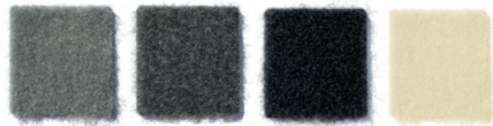
Oak Veneer

Extra colours



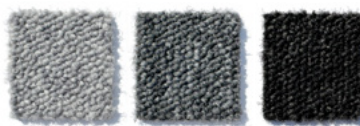
Cotton Basalt Coal Bambus Mint Jade Opal Eden Marshmallow
 Myosotis Paprika Mango Indian Summer Hot Pepper Azurite Blue Tiber Storm Gray Frozen Blue

Standard wall and ceiling



Light gray Dark gray Black Sand

Standard floor



Light gray Dark gray Black

Standard profiles



White Anodized gray Black

Fabric colors (Camira RePlay Zero)*



Black (ZER33) Dark Grey (ZER29) Navy Blue (ZER02) Slate Blue (ZER01) Eucalyptus Green (ZER07) Moss Green (ZER12) Honey Yellow (ZER17) Dusty Red (ZER20) Powder Pink (ZER15) Light Grey (ZER26) Cool Beige (ZER25)

* Only for Silen Dynamics Generation



Space 1.5 furnishing options

Sirius

With added space comes added comfort. The fixed table in the Sirius module is paired with an ergonomic sofa. When the need for quiet, productive headspace brings you to the pod, this sofa is your ally for hours. Your regular chair can wait.

INCLUDES:

- Fixed height table with antibacterial worktop
- Ergonomic Vega sofa

FIXED HEIGHT WORK TABLE

Table top dimensions: 80 x 60 cm

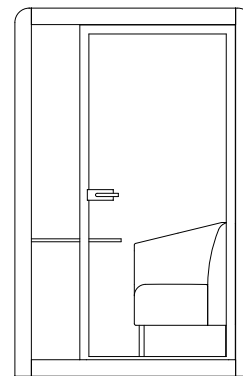
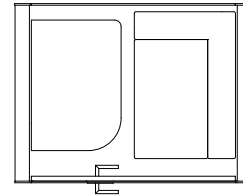
Height: 74 cm

Table top: white (antibacterial) laminated MDF

SOFA VEGA WORK

Dimensions: 90 x 62 cm, height 78 cm. Seat height 49 cm

Sofa fabric colour: Standard colours: Light gray, dark gray, black (Camira RePlay Zero)



Apollo

Whether you prefer to work while sitting or standing, Apollo takes care of the ergonomics. The table is electrically adjusted, so with a bit of play, you'll find the comfiest height for your laptop or sketch pad. Personalize the setup by adding your own favorite chair.

INCLUDES:

- Electrically height adjustable table with antibacterial worktop

HEIGHT ADJUSTABLE TABLE (electrical)

Table top dimensions: 72 x 50 cm

Height: min 70 cm, max 115 cm

Table top: white (antibacterial) laminated MDF, lifting mechanism located inside the wall module

