

# Silen Space 1.5

Private orbit with room to spare

Even team players need time and space to dive deep on their own. That's when insights and discoveries happen. This spacious privacy pod reduces the world to a whisper, so your mind can focus for hours on end.



**Ultimate two-way privacy**  
Market-leading in performance. Blocks 41 dB outside noise, 30 dB (Class A) inside speech. Office-tested, ISO-approved in the laboratory.

**Comfortable**  
Ergonomic, quiet, echo-free, and speech-optimized. Automated LEDs and ventilation. Over twice the standard airflow rate.

**Movable**  
Hidden wheels allow effortless relocation in the office. Prefabricated design offers easy disassembly and reassembly when moving.

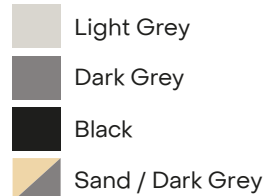
**Spacious**  
Ample space to sit, stretch, stand, and move around. Available with furniture of your choice.

**Endless customization**  
Swap side skins and cover trims with a snap of a magnet. Choose from a variety of colors, fabrics, and furnishing options.

**Sustainable**  
Fully renewable with a 20+ year lifespan. Designed sustainably across materials, production, and impact on surrounding environments.

## Interior colour

Standard colours



## Exterior colour

Standard colours\*

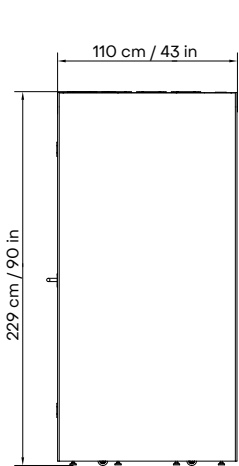


## Additional colours for extra fee

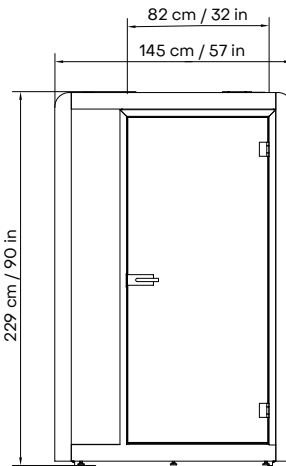


## Textile sides Camira Quest

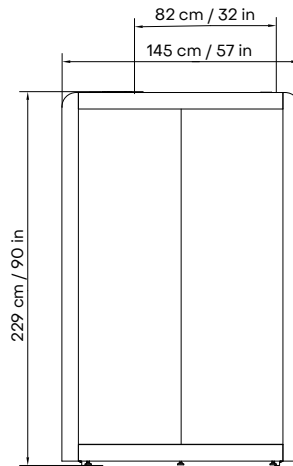




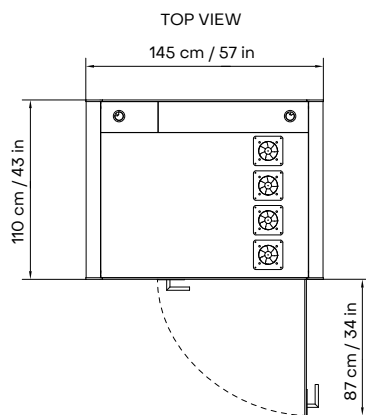
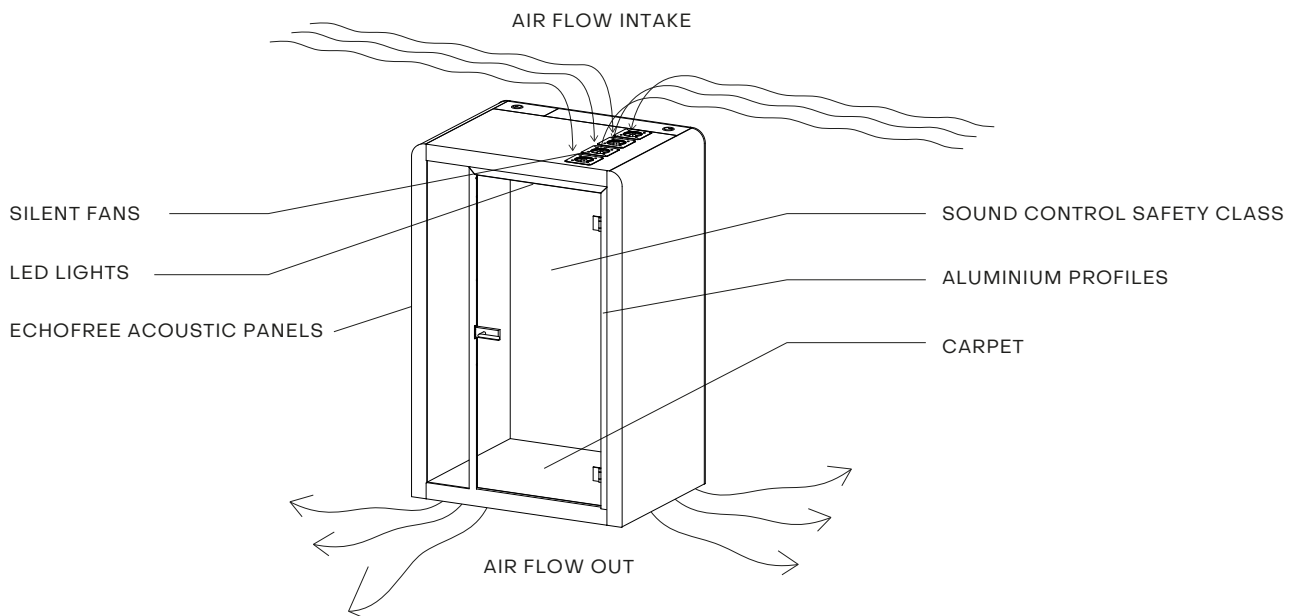
RIGHT VIEW



FRONT VIEW

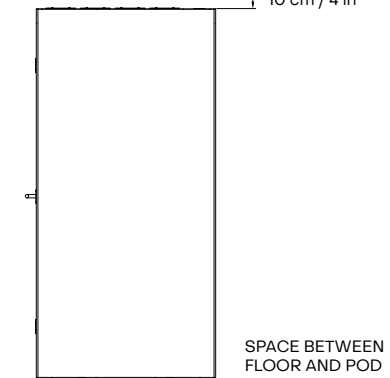


REAR VIEW



TOP VIEW

MINIMAL SPACE BETWEEN POD AND CEILING



SPACE BETWEEN FLOOR AND POD



# Space 1.5 technical specification

## GENERAL PRODUCT INFO

<b>Exterior size (W×D×H)</b>	145 × 110 × 229 cm / 57 × 43 × 90 in
<b>Interior size (W×D×H)</b>	125 × 101 × 205 cm / 49 × 40 × 81 in
<b>Weight (net)</b>	428 kg / 944 lb
<b>Weight with crate</b>	555 kg / 1224 lb
<b>Exterior</b>	Exterior panels and cover trims. Medical grade antibacterial laminate
<b>Glass</b>	Sound Control laminated safety glass. Sound insulation STC 40 dB
<b>Walls/structure</b>	EchoFree panel - sandwich element and structure of FSC™ birch plywood, ecological foam and acoustic felt. Sound insulation STC 49 dB. Acoustic absorption class A
<b>Roof</b>	EchoFree panel - sandwich element of birch plywood and acoustic felt. Sound insulation STC 49 dB. Acoustic absorption class A
<b>Floor</b>	Sandwich element of birch plywood, acoustic wool. Acoustic absorption Class B
<b>Carpet</b>	Antistatic and stain resistant low loop pile carpet for public spaces, EN 1307. Flammability B <sub>f1</sub> -s1
<b>Door handedness</b>	Right-handed door
<b>Furniture</b>	Optional. Different sets are available
<b>Air ventilation</b>	Low energy-consumption automatic air circulation system (stand by 3,4W; in operation 6,8W). Air circulation speed is at least 50 l/s
<b>Connections</b>	AC outlet (100–240V) + USB A/C (optional). Ethernet port (optional).
<b>Power cord</b>	5m long cord with plug type depending on the region. Connection either from the top or bottom of the pod, can be chosen during installation.
<b>Lighting</b>	3000K or 4000K automatic LED lightning (13,4 W, 1800 lm). Low consumption, energy-efficient
<b>Casters</b>	For moving during installation and easy relocation. Hidden. Can be activated any time.
<b>Adjustable legs</b>	For levelling. Levelling from inside the booth

## CERTIFICATION

<b>Product safety</b>	UL962 Listed
<b>Electrical safety</b>	CE-mark / UL962 Listed
<b>Fire safety</b>	Class A according to UL 723, ASTM E84, ASTM E162 (walls and ceiling)
<b>Emissions</b>	Indoor Advantage™ Gold certified by SCS Global Services
<b>Speech level reduction</b>	30,1 dB / Class A according to ISO 23351-1, measured in accredited lab
<b>Airborne sound insulation R'w</b>	40 dB according to ISO 16283-1 and ISO 717-1, measured on site by an accredited specialist
<b>Sound transmission class STC</b>	41 dB according to ASTM E90, measured on site by an accredited specialist



## Space 1.5 extra features



Self-closing door hinges



Retractable coat/bag hook



Air flow and lighting dimmer



Seismic kit



Occupancy light

**EXTRA FEATURE**

**Self-closing door hinges**

**Power outlet under sofa**

(1 x 230V / USB A/C) Additional information.

**LAN/RJ45/HDMI connections**

**Air flow and lighting dimmer**

**Occupancy light**

**Frosted film on glass**

**Retractable coat/bag hook**

**Sprinkler prep**

Knockout with a tube inside. The ceiling module for housing a sprinkler. Does not include a sprinkler. Sprinkler needs to be installed by a certified company.

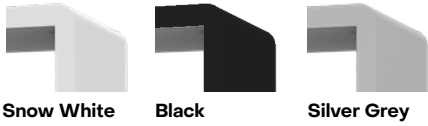
**Seismic kit**

Brackets to mount the floor module to the existing floor with anchor bolts



# Options for surfaces

## Standard colours



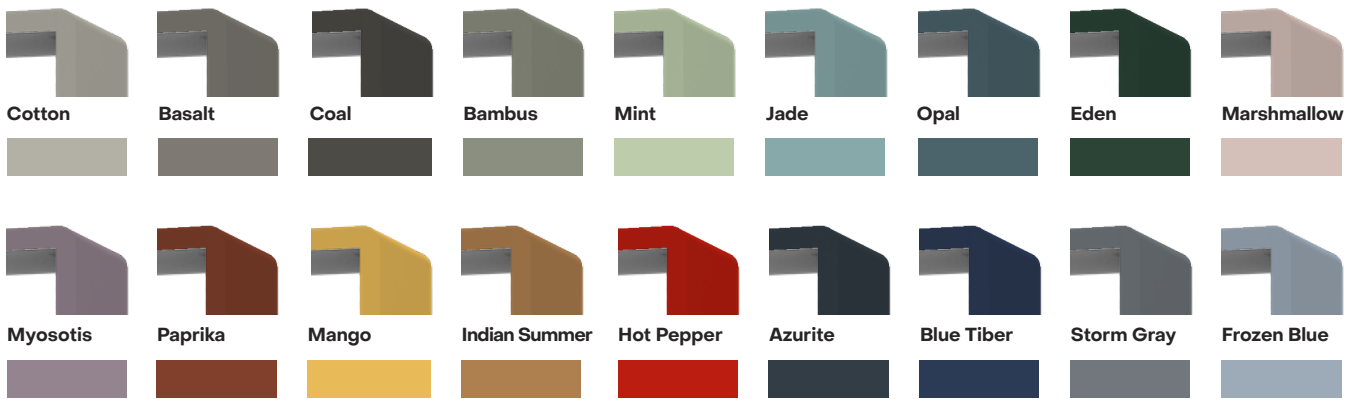
Snow White    Black    Silver Grey

## Veneer

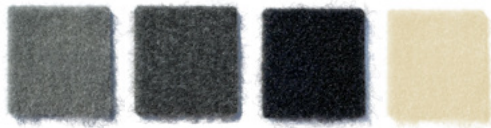


Oak Veneer    Dark Oak Veneer

## Extra colours

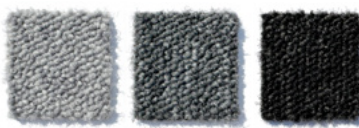


## Standard wall and ceiling



Light gray    Dark gray    Black    Sand

## Standard floor



Light gray    Dark gray    Black

## Standard profiles



White    Anodized gray    Black

## Textile sides (Camira Quest)\*



\* Only for Silen Dynamics Generation

Fully upcycled Furniture textiles with 70% marine plastic content

