

## Silen Space 4 Hybrid

Spread ideas without hurdles

When teams grow, blocking distractions at meetings gets harder. This pod has universal access, filters out external noise, and lets you think and focus together.



1-8 people



### Accessible

Improved comfort and wheelchair access with an extra-low threshold and a wide automatic door.



### Ultimate two-way privacy

Market-leading sound reduction for wheelchair-accessible office pods.



### Comfortable

Ergonomic, quiet, echo-free, and speech-optimized. Automated LEDs and ventilation. Over twice the standard airflow rate.



### Easy to relocate

Prefabricated design offers easy disassembly and reassembly when moving.



### Spacious

Suitable for 4 wheelchair users; otherwise, seats up to 8. Offers ample space to stretch and move around. Available with furniture of your choice.



### Endless customization

Swap side skins and cover trims with a snap of a magnet. Enjoy a variety of colors, fabrics, and furnishing options.



### Modularity

The modular design enables changing the pod size whenever needed. Add modules to create bigger spaces or split larger pods into smaller spaces.



### Sustainable

Fully renewable with a 20+ year lifespan. Designed sustainably across materials, production, and impact on surrounding environments.



### Interior colour

#### Standard colours



### Exterior colour

#### Standard colours\*

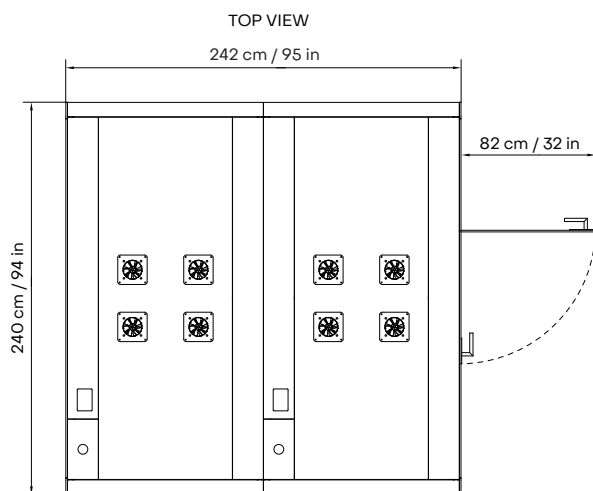
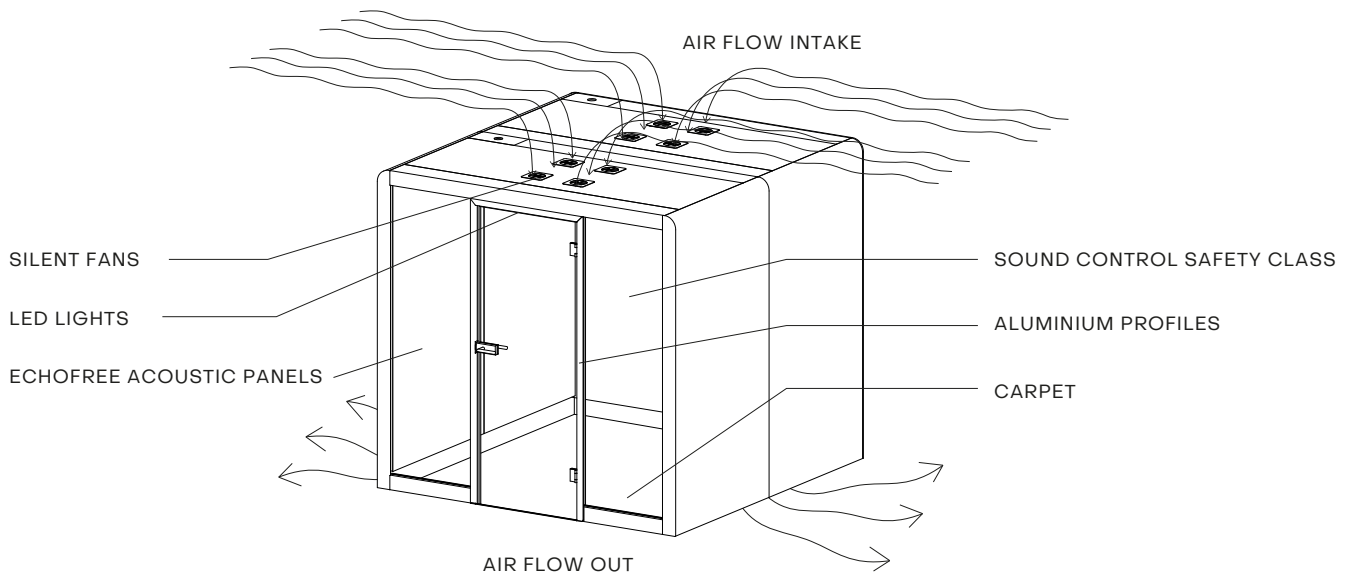
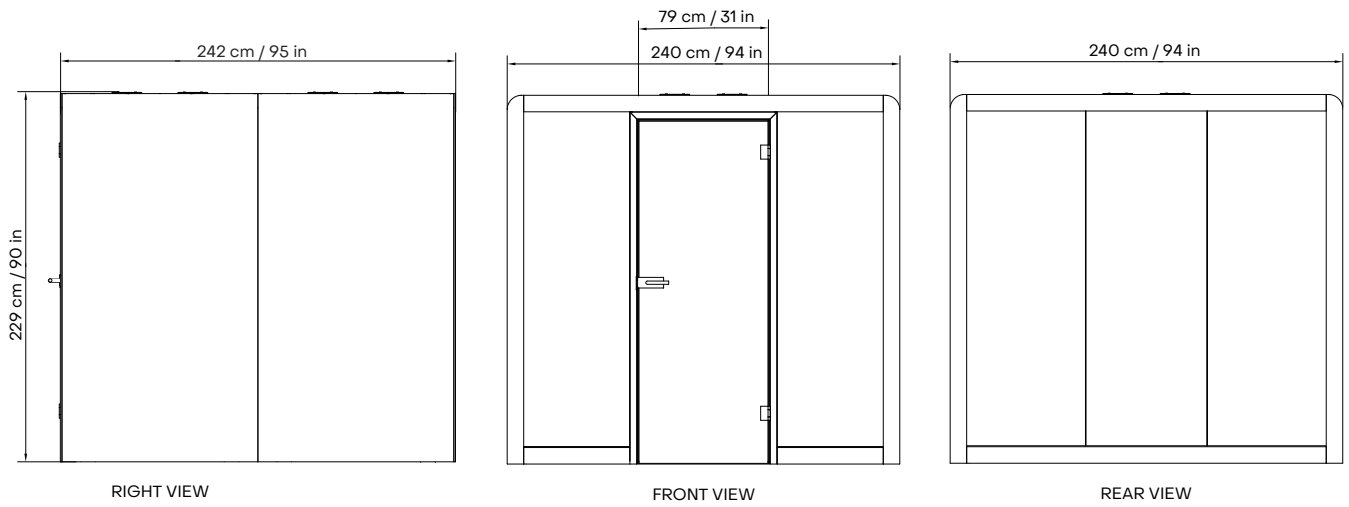


### Additional colours for extra fee

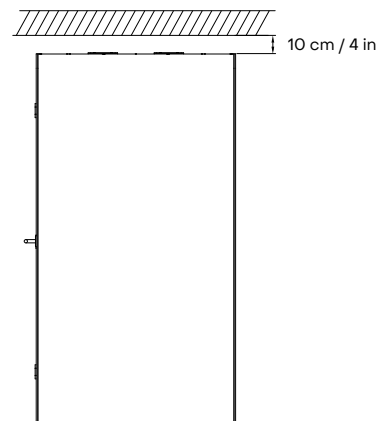


### Textile sides Camira Quest





MINIMAL SPACE BETWEEN POD AND CEILING



# Space 4 Hybrid technical specification

## GENERAL PRODUCT INFO

<b>Exterior size (W×D×H)</b>	240 × 242 × 227 cm / 94 × 95 × 89 in
<b>Interior size (W×D×H)</b>	220 × 223 × 216 cm / 87 × 88 × 85 in
<b>Weight (net)</b>	1140 kg / 2513 lb
<b>Weight with crate</b>	1460 kg / 3219 lb
<b>Exterior</b>	Laminated exterior panels and cover trims. Medical grade antibacterial laminate
<b>Glass</b>	Sound Control laminated safety glass. Sound insulation STC 40 dB
<b>Walls/structure</b>	EchoFree panel - sandwich element and structure of FSC birch plywood, ecological foam and acoustic felt. Sound insulation STC 49 dB. Acoustic absorption class A
<b>Roof</b>	EchoFree panel - sandwich element of birch plywood and acoustic felt. Sound insulation STC 45 dB. Acoustic absorption class A
<b>Floor</b>	Sandwich element of birch plywood, acoustic wool. Acoustic absorption Class B
<b>Carpet</b>	Antistatic and stain resistant low loop pile carpet for public spaces, EN 1307. Flammability B <sub>f1</sub> -s1
<b>Door handedness</b>	Right- or left-handed door. Door handedness can be chosen
<b>Furniture</b>	Optional. Different sets are available
<b>Air ventilation</b>	Low energy-consumption automatic air circulation system (stand by 6,8W; in operation 13,6W). Air circulation speed is at least 125 l/s
<b>Electrical connections</b>	Option one: add foldable table for sockets Option two: 2 x 110-240 V + USB-A+C in wall
<b>Power cord</b>	5m long cord with plug type depending on the region. Connection either from the top or bottom of the pod, can be chosen during installation.
<b>Lighting</b>	3000K or 4000K automatic LED lightning (2 x 28 W, 2 x 3000 lm). Low consumption, energy-efficient

## CERTIFICATION

<b>Product safety</b>	UL962 Listed
<b>Electrical safety</b>	CE-mark / UL962 Listed
<b>Fire safety</b>	Class A according to UL 723, ASTM E84, ASTM E162 (walls and ceiling)
<b>Emissions</b>	Indoor Advantage™ Gold certified by SCS Global Services
<b>Speech level reduction</b>	31,9 dB / Class B according to ISO 23351-1, measured in accredited lab
<b>Airborne sound insulation R'w</b>	41 dB according to ISO 16283-1 and ISO 717-1, measured on site by an accredited specialist
<b>Sound transmission class STC</b>	41 dB according to ASTM E90, measured on site by an accredited specialist



## Space 4 Hybrid extra features



Self-closing door hinges



Additional power outlet Pluto under the table



Additional power outlet Desk2 on the table



Additional power outlet Slim on the table (US)



Retractable coat/bag hook



Air flow and lighting dimmer



Occupancy light



Screen bracket on back glass



Seismic kit



Sprinkler prep

### EXTRA FEATURE

#### Self-closing door hinges

#### Additional power outlet Pluto under the table

#### Additional power outlet Desk2 on the table

On table top. 2 X 230 V, 1 X USB-A, 1 X USB-C

#### Additional power outlet Slim on the table (us)

US only. 3 x 120V, 2 x USB-A

#### Power outlet under sofa

(1 x 230V / USB A/C) Additional information.

#### LAN/RJ45/HDMI connections

#### Air flow and lighting dimmer

#### Occupancy light

#### Screen bracket on back glass

#### Screen bracket on side wall

#### Frosted film on glass

#### Retractable coat/bag hook

#### Sprinkler prep

Knockout with a tube inside. The ceiling module for housing a sprinkler. Does not include a sprinkler. Sprinkler needs to be installed by a certified company.

#### Seismic kit

Brackets to mount the floor module to the existing floor with anchor bolts



# Options for surfaces

## Standard colours



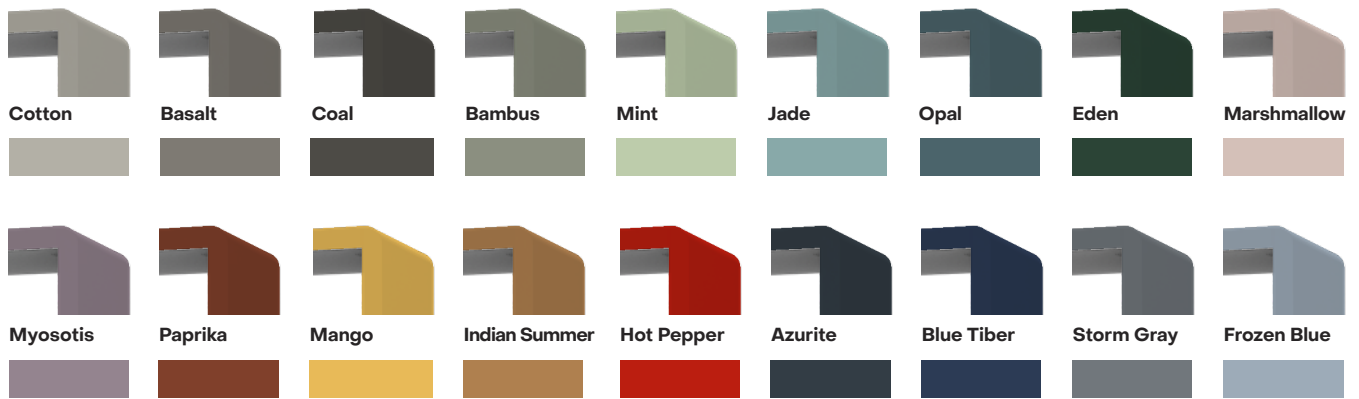
Snow White    Black    Silver Grey

## Veneer

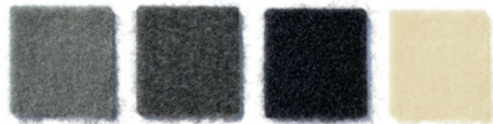


Oak Veneer    Dark Oak Veneer

## Extra colours

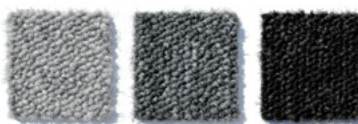


## Standard wall and ceiling



Light gray    Dark gray    Black    Sand

## Standard floor



Light gray    Dark gray    Black

## Standard profiles



White    Anodized gray    Black

## Textile sides (Camira Quest)\*



\* Only for Silen Dynamics Generation

Fully upcycled Furniture textiles with 70% marine plastic content

