

Chatbox Solo

Lush, stealthy solo flights

When a basic phone booth feels too cramped for serious work, Solo takes over. More room to focus for longer and keep outside distractions at bay.



Essential quality

With a sole focus on essential features, you enjoy world-class quality without breaking the bank.



Quiet

Best-in-class soundproofing. Blocks 34dB outside noise, 31dB inside speech. Office-tested, ISO-approved in the laboratory.



Comfortable

Ergonomic, quiet, echo-free, and speech-optimized. Automated LEDs and ventilation. Over twice the standard airflow rate.



Easy to relocate

Add-on mobility kit for in-office relocation. Easy reassembly for moving offices.



Quick assembly

Thanks to its smart prefabricated design, it sets up in 40 minutes. Disassembly and reassembly are just as easy.



Endless customization

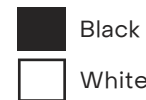
Swappable side skin and cover trim keeps your pod looking fresh and up to date (We call it Silen Dynamics.) Choose from different colors, covers, and customization options. All furniture can be easily removed and replaced.



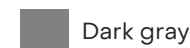
Sustainable

Swap side skins and cover trims with a snap of a magnet. Choose from a variety of colors, fabrics, and furnishing options.

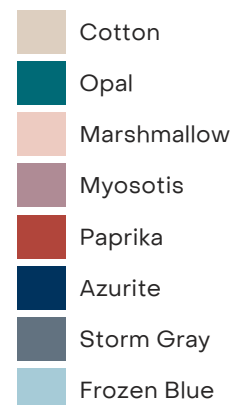
Standard exterior colors

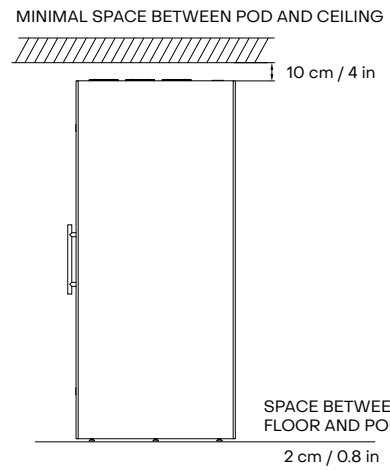
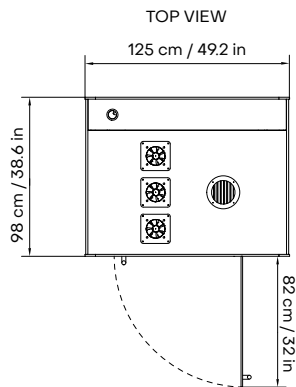
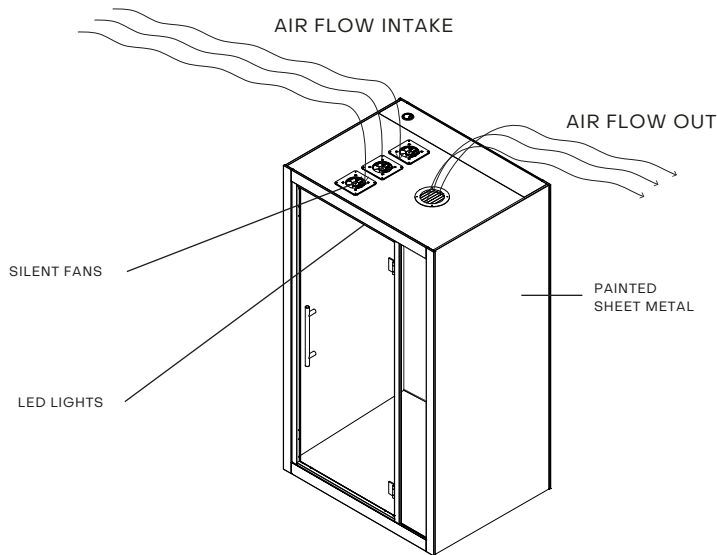
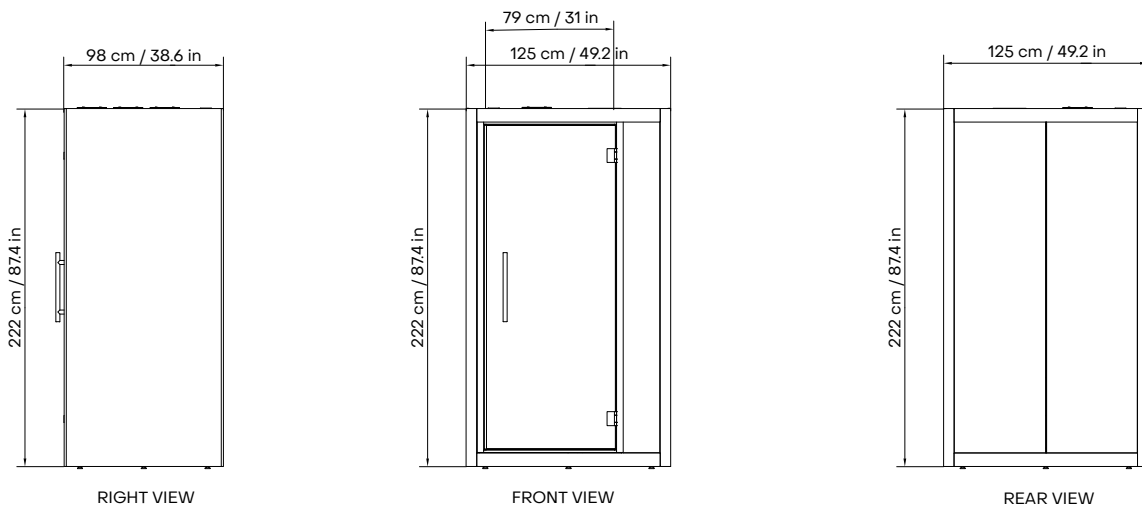


Standard interior color



Colour collection for additional price





Chatbox Solo technical specification

GENERAL PRODUCT INFO

Exterior size (W*D*H)	125 x 98 x 222 cm 49.2 x 38.6 x 87.4 in
Interior size (W*D*H)	113 x 91 x 204 cm 44.5 x 35.8 x 80.3 in
Weight (net)	380 kg / 838 lb
Door handedness	right-handed door
Air ventilation	low consumption air circulation system (max 5.1 W)
Air flow	air circulation speed is more than 55 l/s (198 m ³ /h) (117 ft ³ /min)
Lighting	energy-efficient LED light (28 W, 4000 K, 2240 lm)
Power outlets	Black socket with 110-240 V (10 A) + USB-A+C
Power cord	3 m / 9 ft 10 in
Exterior material	painted sheet metal
Glass	sound control laminated safety glass
Floor	antistatic and stain resistant low loop pile carpet for public spaces, EN 1307
Acoustic surfaces	acoustic EchoFree panel
Adjustable glides	for easy leveling from inside the booth

CERTIFICATION

Electrical safety	CE-mark
Fire safety	Class A according to UL 723, ASTM E84, ASTM E162 (walls and ceiling)
Emissions	Indoor Advantage™ Gold certified by SCS Global Services
Sound reduction	27,8 db (class B according to ISO 23351-1)
Airborne sound insulation R'w	34 dB according to ISO 16283-1 and ISO 717-1, measured on site by an accredited specialist
Sound transmission class STC	34 dB according to ASTM E90, measured on site by an accredited specialist



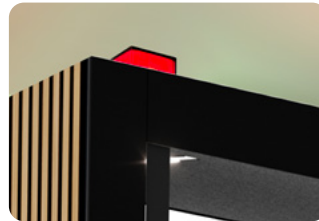
Chatbox Solo features



Retractable coat/bag hook



Control panel



Occupancy light



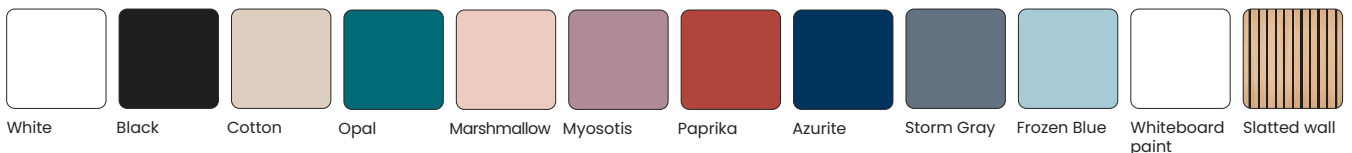
Mobility kit

EXTRA FEATURE

Retractable coat/bag hook	A practical and nice-looking foldable hook for coat or bag
Control panel	Airflow dimmer, light brightness dimmer, light temperature selection and controls for optional extras
Occupancy light	
Mobility kit	Set of detachable casters for moving booths. Can be used for all Chatbox models.

Options for surfaces

Exterior colors collection



Standard wall and ceiling



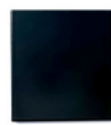
Dark gray

Standard floor



Dark gray

Standard profile



Black

