

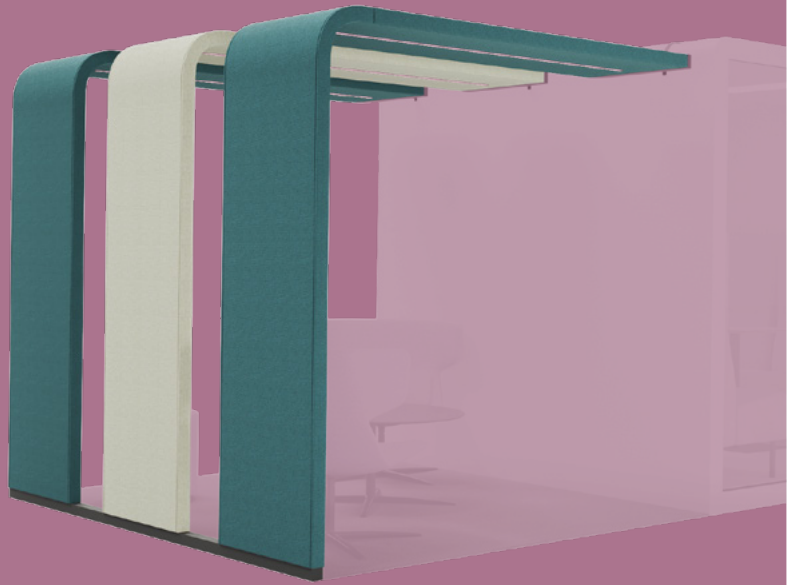
# Silen Bridges Connect

Imagination needs a terrace

Sometimes an office pod deserves an airy overflow zone. Bridges Connect creates just that. It plays well with Silen Space 4 and Silen Space Max pods, as well as walls, or other solid attachment points.



1-8 people



## Brings people together

Social office design helps bring out the best in people. Bridges create natural meeting zones in the office to hang out, exchange ideas, or catch up on a project.



## Enhanced acoustics

Acoustically-enhanced arcs improve sound focus. That's right, even with open sides, sound can be manipulated to serve the goal of a quieter, more focused workspace.



## Innovative design

Engineered by the team that won the NeoCon Innovation Award, in partnership with designer Kai Stania.



## Endless customization

Play around with colors, sitting/standing table modes, and optional features like power sockets, lights, and a TV-mount. These help deliver all kinds of focus zones for morning stand-ups, impromptu chats, and everything in between.



## Plug-and-play

Easy to install and ready to use. Order a no-frills arc, or opt for a version with power and automatic lighting.



## Sustainable

Bridges can last 20+ years and are fully renewable. Fabrics only use SEAQUAL® YARN made from recycled marine plastic. When lights or other bits need replacing, you won't have to buy some large contraption they're embedded in. Only swap the affected thing.

## Inner construction panels

Wood, metal, acoustic foam

## Cover panels

Acoustic panels covered with 100% post-consumer recycled polyester textile including 75% SEAQUAL® YARN made from sea plastic.

## Side trims

covered with 100% post-consumer recycled polyester textile including 75% SEAQUAL® YARN made from sea plastic.

## Plinth

Painted steel, adjustable legs for levelling.

## Electricity and lighting

Optional.

## Fittings colours

White RAL 9003

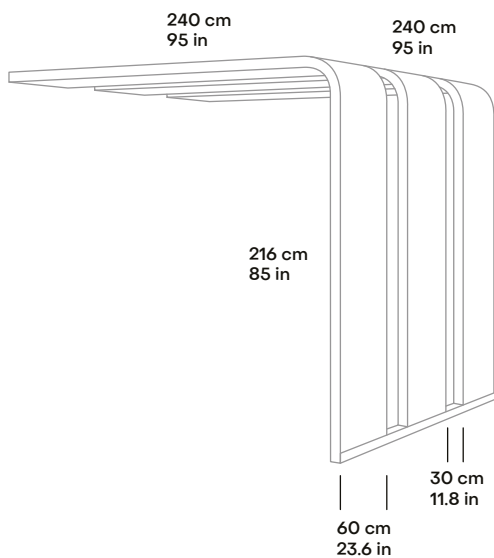
Black RAL 9011

## Textile sides Camira Quest

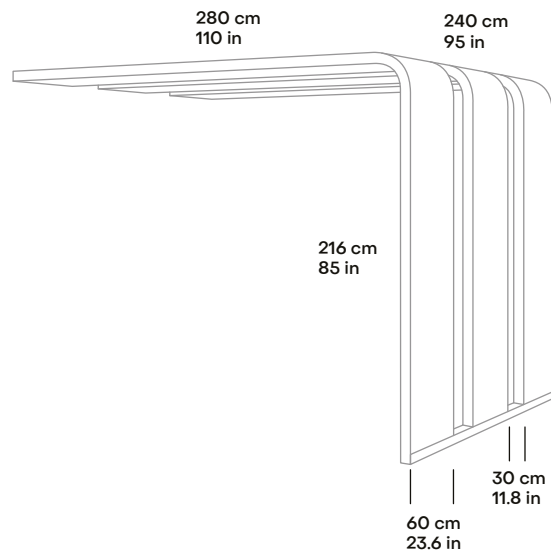


# Technical specification

|                           |   |
|---------------------------|---|
| <b>SIZE AND SETUP</b>     | 240 x 240 cm / 95 x 95 in<br>3 arches with 30 cm / 12 in gap  |
|                           | 280 x 240 cm / 110 x 95 in<br>3 arches with 30 cm / 12 in gap   |
| <b>LIGHTING</b>           | 4000K LED light strip in each arch  |
| <b>WEIGHT</b>             | 3 arches (L2400) 160 kg / 352 lbs<br>3 arches (L2800) 169 kg / 373 lbs  |
| <b>SCREEN BRACKET</b>     | VESA 100x100 and 200x200 mounting with power outlet for screen  |
| <b>CONNECTION OPTIONS</b> | <ul style="list-style-type: none"> <li>· Fix to Space 4 or Max</li> <li>· Fix to the wall</li> <li>· Hang from the ceiling</li> </ul> |



Silen Bridges Connect (L2400)  
with 3 arches and 30 cm / 12 in gap



Silen Bridges Connect (L2800)  
with 3 arches and 30 cm / 12 in gap