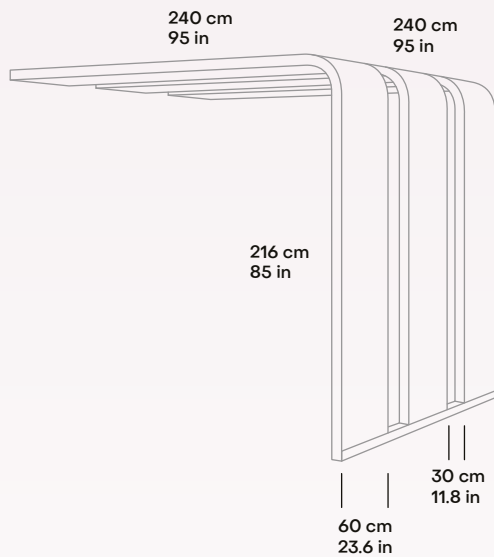
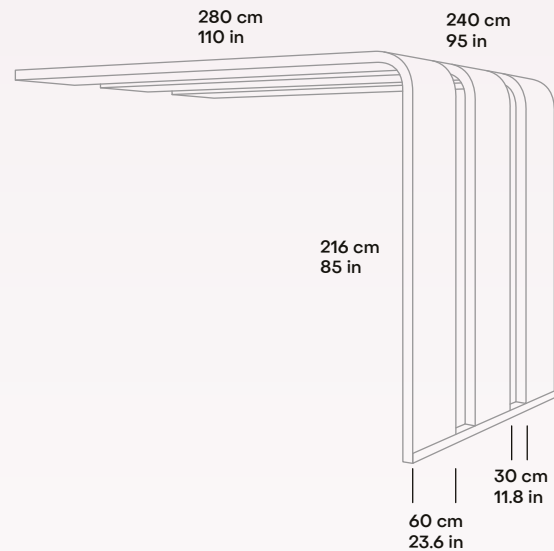


Technical specification

SIZE AND SETUP	240 x 240 cm / 95 x 95 in 3 arches with 30 cm / 12 in gap
	280 x 240 cm / 110 x 95 in 3 arches with 30 cm / 12 in gap
LIGHTING	4000K LED light strip in each arch
SCREEN BRACKET	VESA 100x100 and 200x200 mounting with power outlet for screen
CONNECTION OPTIONS	<ul style="list-style-type: none"> · Fix to Space 4 or Max · Fix to the wall · Hang from the ceiling



Silen Bridges Connect (L2400)
with 3 arches and 30 cm / 12 in gap



Silen Bridges Connect (L2800)
with 3 arches and 30 cm / 12 in gap